

# Network Video Camera Series

---



Thank you for choosing our products.  
Please read the User Manual carefully before using this product.  
This user manual will provide you with instructions for correct installation and operation.

---

# Safety Instruction

These instructions are intended to ensure that user can use the product correctly to avoid danger and property loss. Please carefully read this guidance and keep it for future reference before operating the device. The manual is designed to instruct users to facilitate installation. The interface in details depends on the exact product.

The latest version will be updated regularly according to the software and hardware improvement of our product. Updated information will be updated in the latest version of this manual without prior notice.

The precaution measure is divided into “Warnings” and “Cautions”



## Warnings

Follow these safeguards to prevent serious injury or death.

1. Input voltage should meet both the SELV (Safety Extra Low Voltage)
2. Contact the distributor for abnormal operation. Do Not disassemble or modify the devices in any way.
3. Moisture must be avoided for indoor devices in case of fire and electric shock.
4. Install the equipment on the ceiling to ensure that it can withstand at least 4 times the weight of the equipment.
5. Moisture must be avoided for indoor devices in case of fire and electric shock.



## Cautions

Follow these precautions to prevent potential injury or material damage.

1. Original package must be used for shipment and management to avoid high pressure, high vibration and imprisonments
2. Avoid direct contact with image sensor. Cover the dust cap while not operating.
3. Do not aim the camera at the extra bright places (light, sunlight, laser) in case of affecting the endurance of CMOS at the same time.
4. Do not place the camera in extremely hot, cold, dusty or damp locations, and do not expose it to high electromagnetic radiation.
5. To avoid heat accumulation, good ventilation is required for operating environment.
6. Ensure that the installation location is kept at a sufficient distance from the surrounding electromagnetic sensitive equipment to prevent electromagnetic interference.
7. Keep the camera away from liquid while on using. Original package during shipment is strongly recommended.
8. Any replacement of the device battery or the use of a mismatched type may cause irreversible damage to the device.
9. Modify the default login password when first login the device to avoid the loss caused by weak password.
10. When the Micro SD is used, it is recommended to use a special video surveillance
11. Micro SD card to avoid after sales maintenance arising from the rapid damage of ordinary Micro SD cards.

# Quick Operation

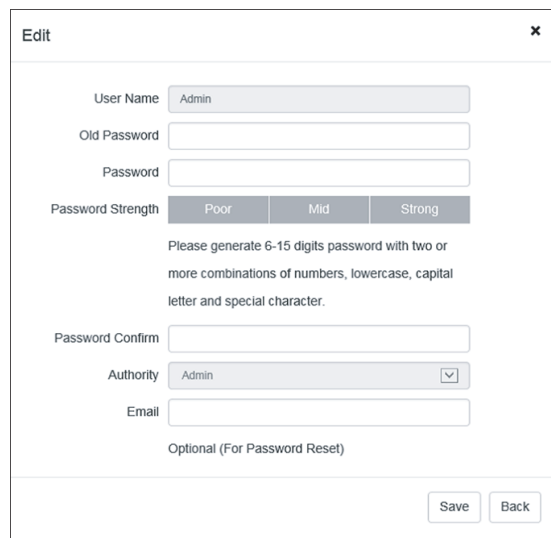
## Device Activation

- Enter default IP address: 192.168.1.2 in the address bar of the IE, and then the login interface will appear as shown in the Figure 1.



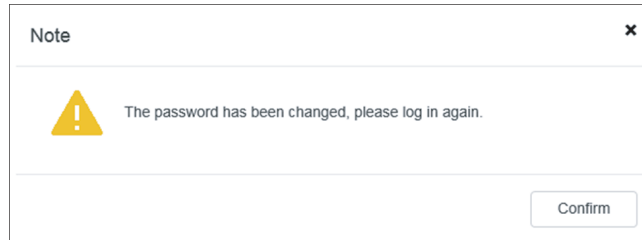
**Figure 1. Login Interface**

- Input the default username and password: admin/admin (username is case-intensive), and a prompt box of changing password will pop up as shown in Figure 2.



**Fiction 2. Device Activation Interface**

- Input new password according to the prompt message, then click the button “Save”, and a prompt box will pop up as shown in Figure 3.



**Figure 3. Prompt Box**

- Click the “OK” button, then the login screen will be refreshed. After inputting the username and the new password, you will enter the preview interface.
- If it’s your first time to use this product, you need to download and install the plug-in according to the prompt message, as shown in Figure 4.

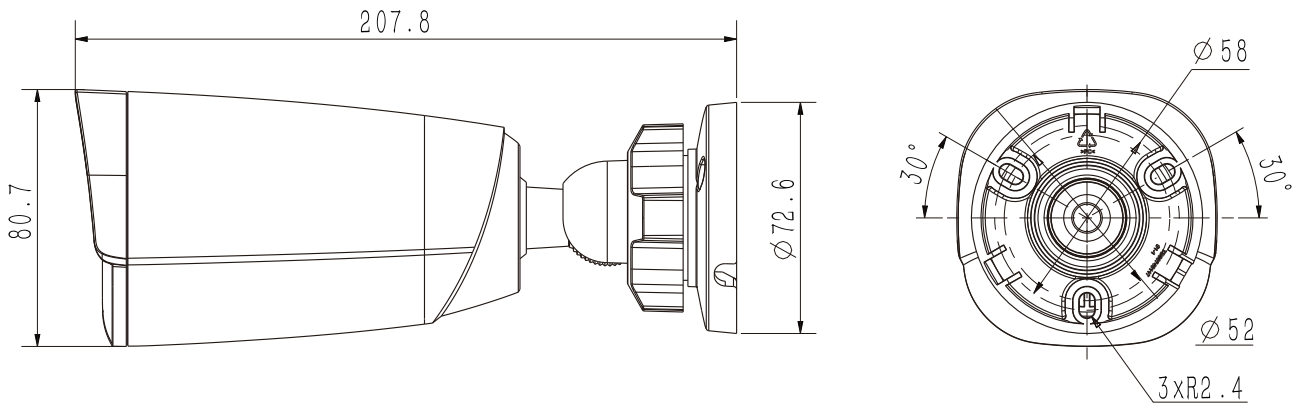


**Figure 4. Plug-in Installation Interface**

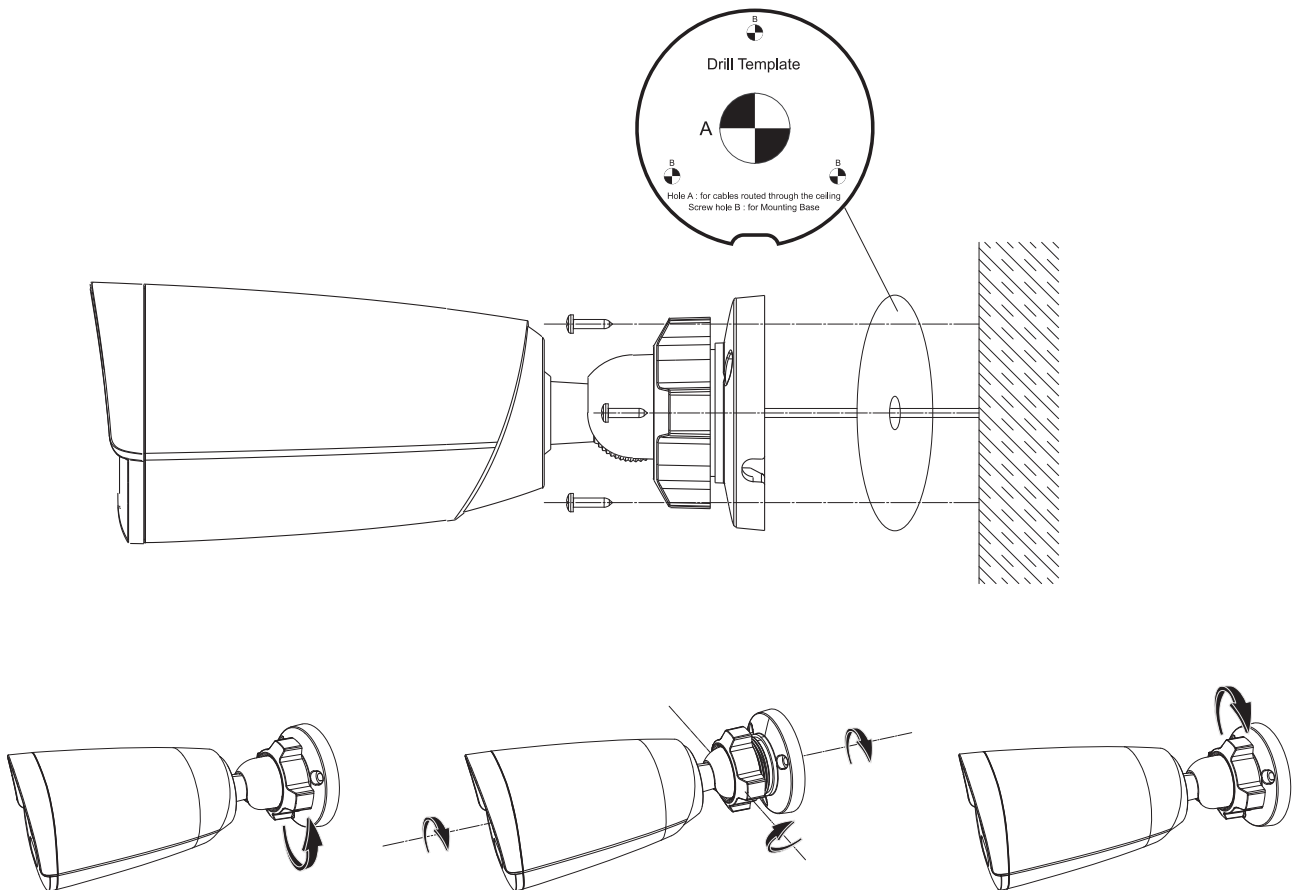
- Open the IE browser again after successful installation, and input the correct username and password to enter the preview interface.

Note: The default password is “admin” when you start to use it for the first time. Only after entering the correct password can you enter the device activation interface. If you input incorrect password for 5 consecutive times, the device will be locked for 5 minutes.

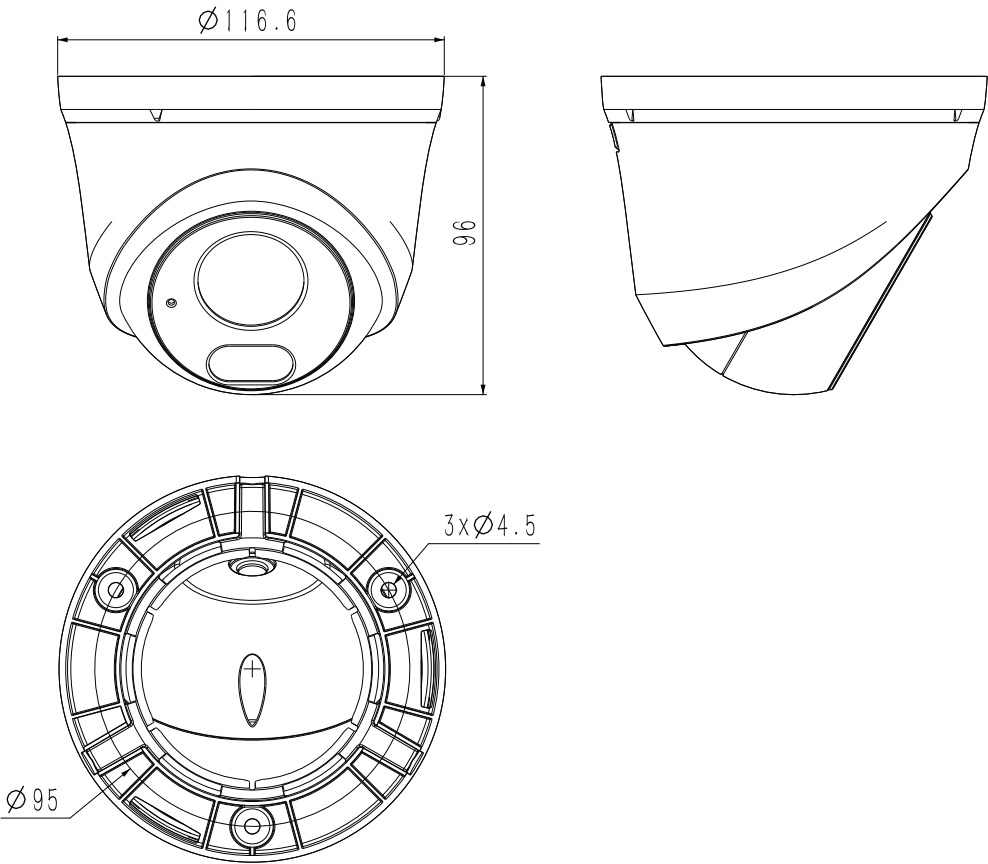
# Dimension (unit: mm)



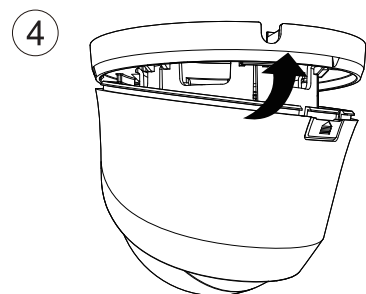
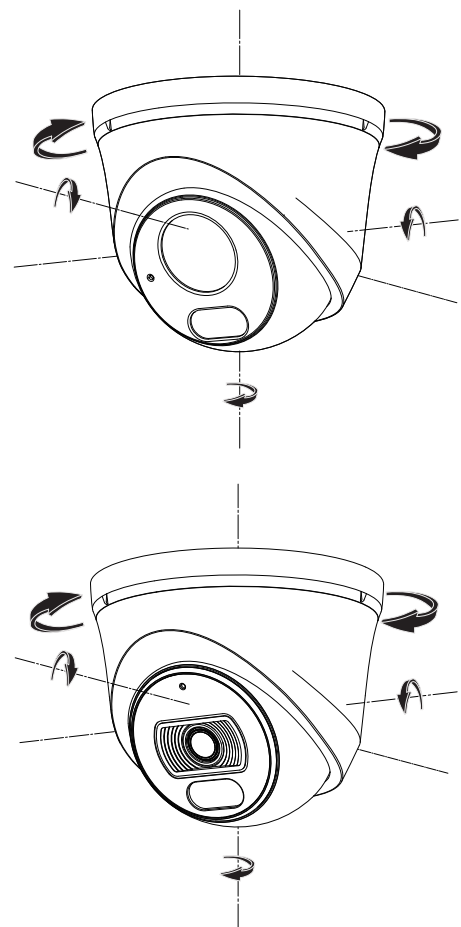
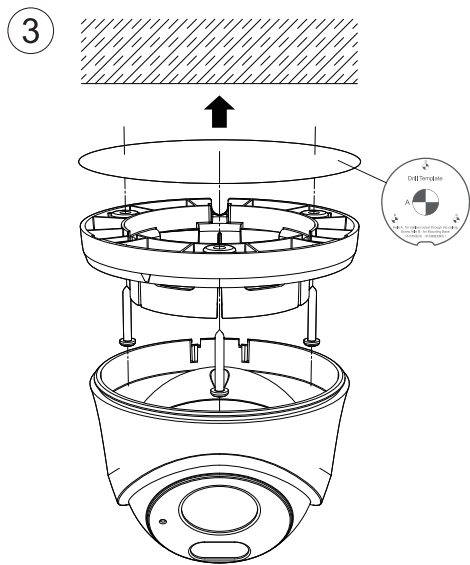
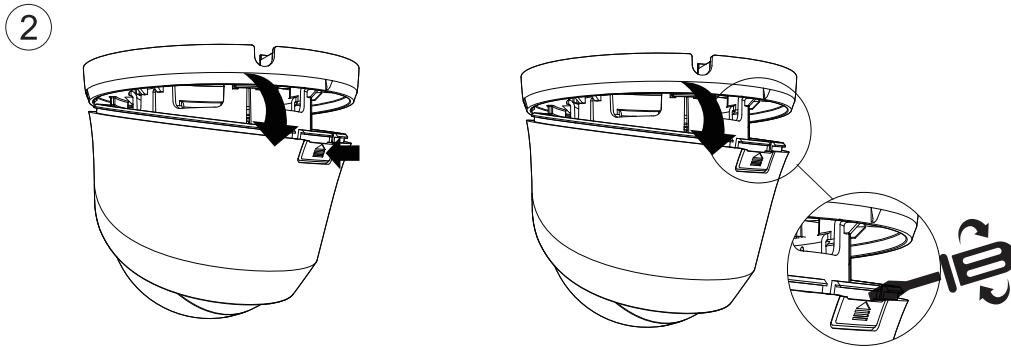
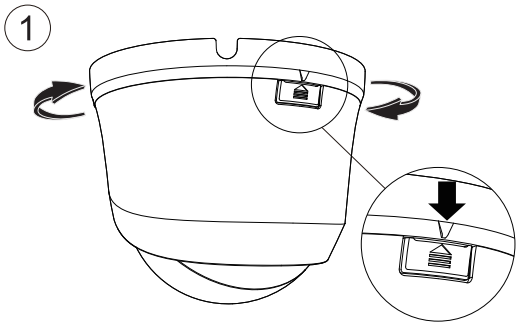
# Installation Instructions



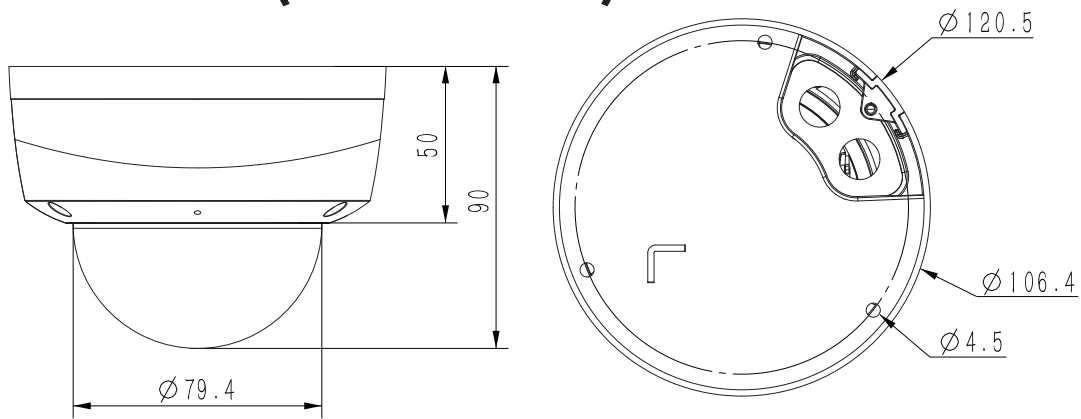
# Dimension (unit: mm)



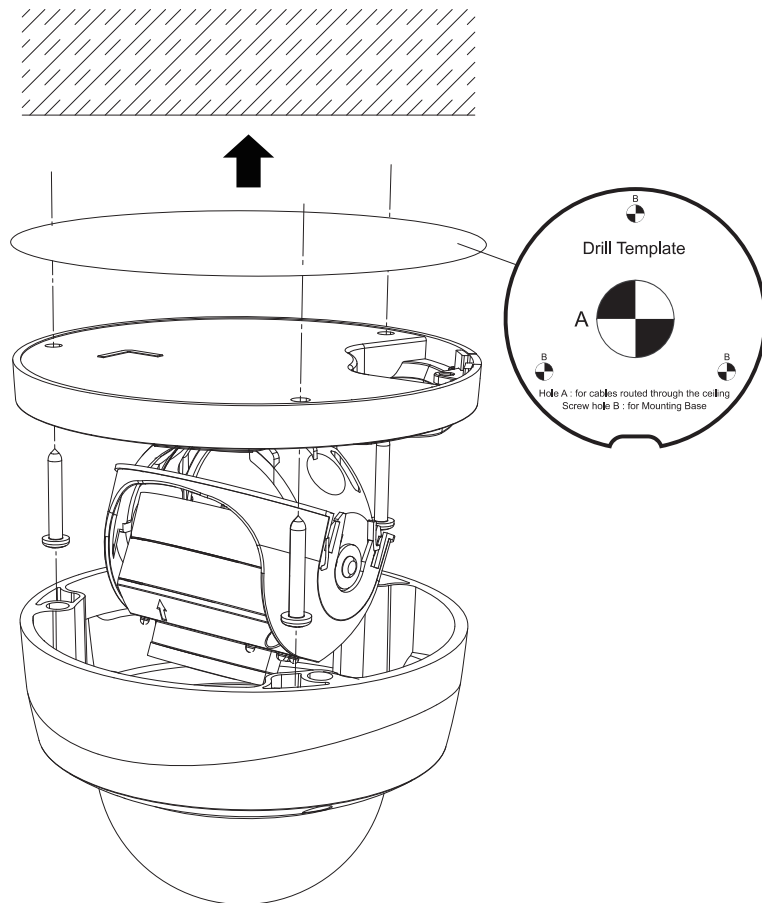
# Installation Instructions



# Dimension (unit: mm)

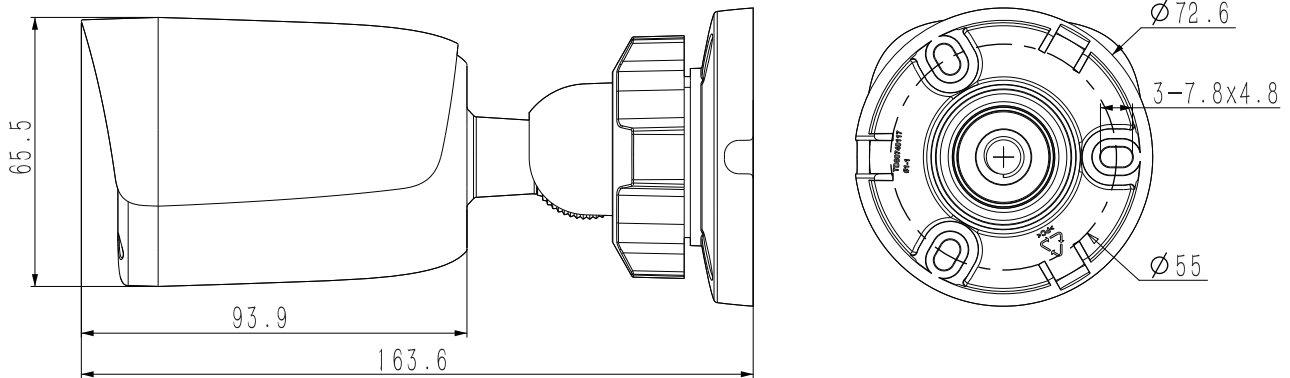


# Installation Instructions

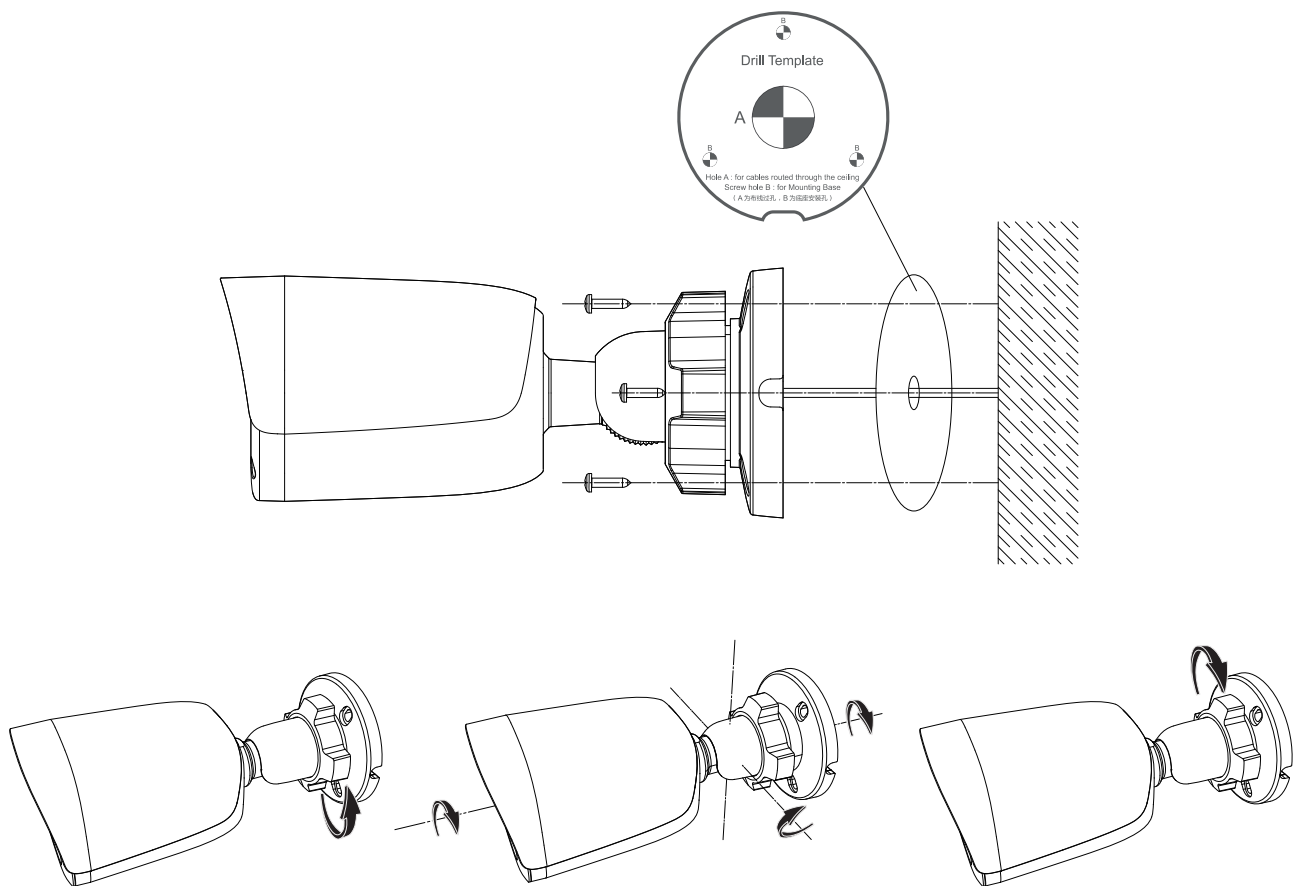




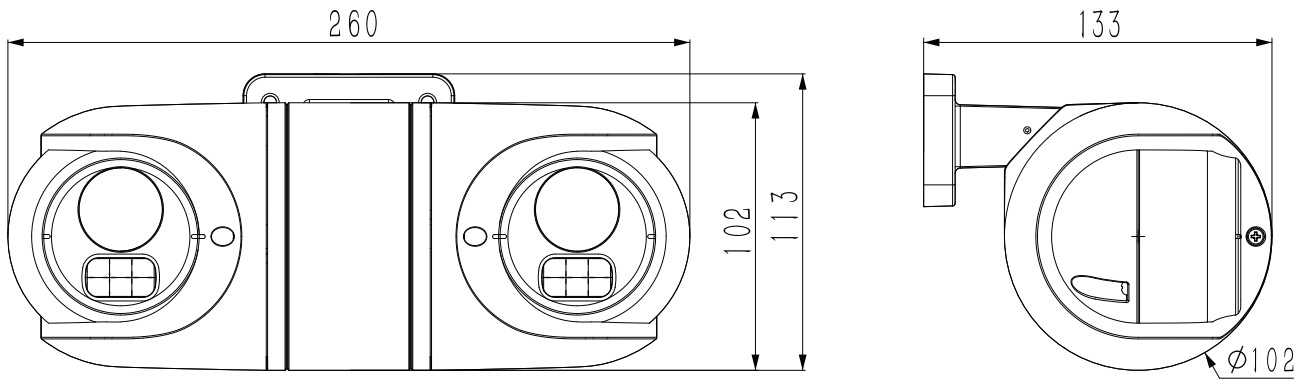
# Dimension (unit: mm)



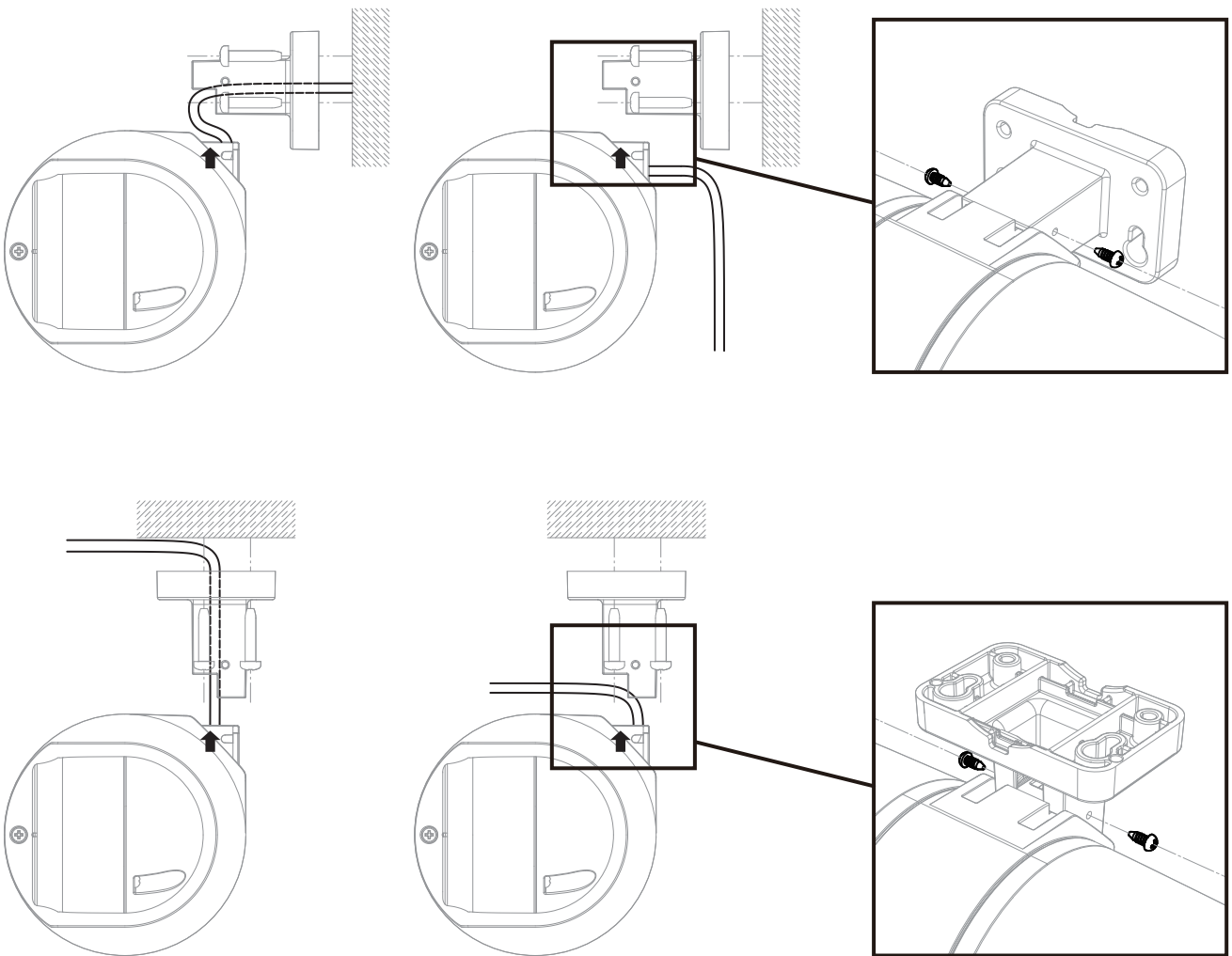
# Installation Instructions



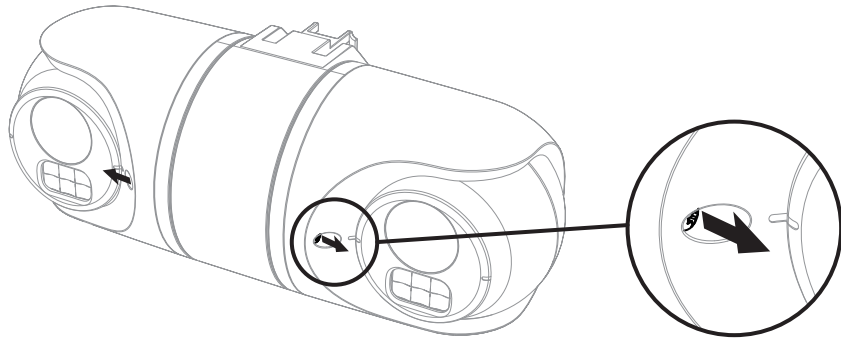
# Dimension (unit: mm)



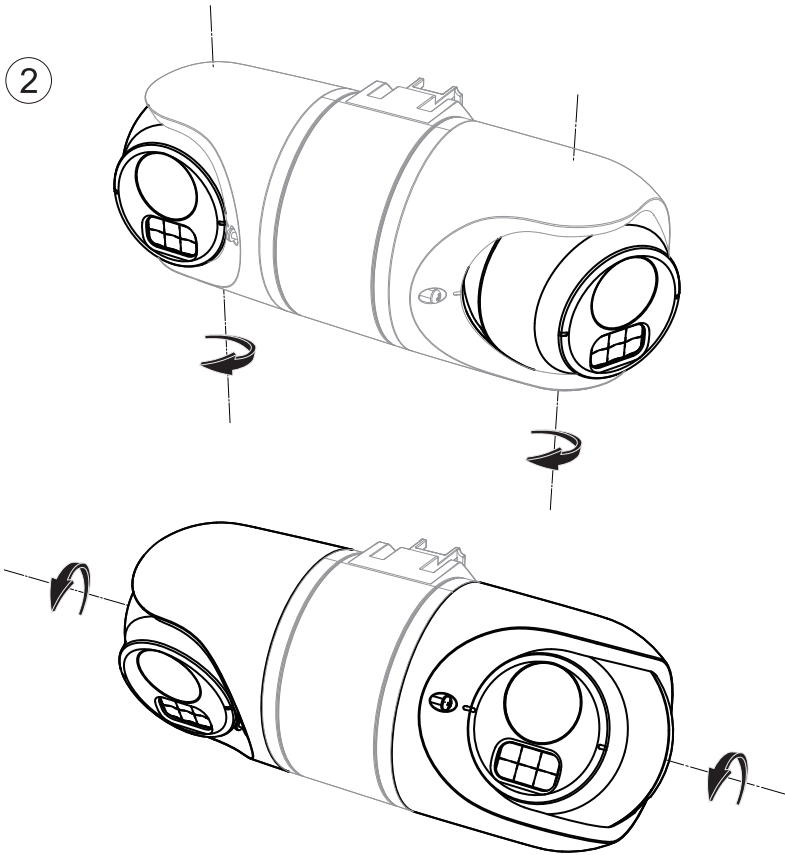
# Installation Instructions



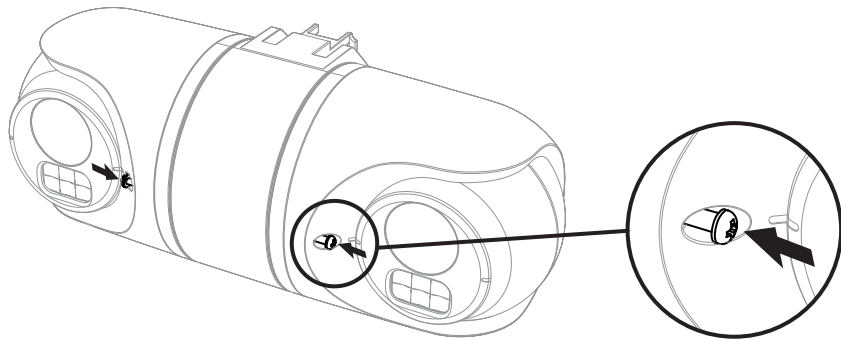
1

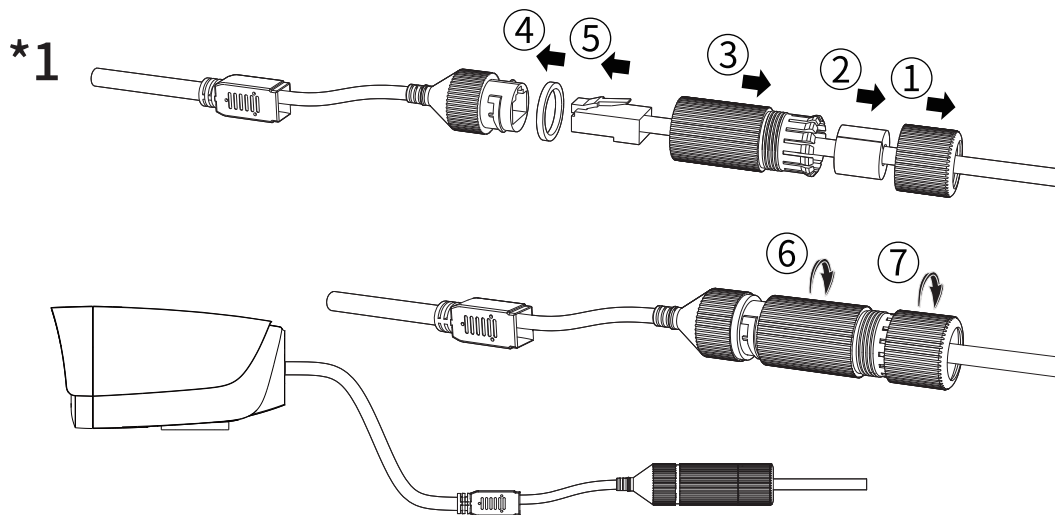


2



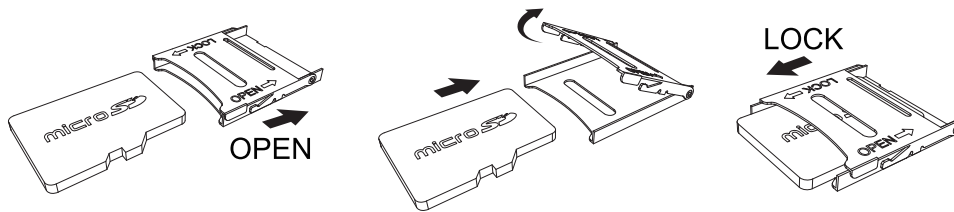
3





Waterproof accessories

\*2



# Disclaimer

1. The company has tried its best to ensure the completeness and accuracy of the contents contained in the Manual. For any doubt or dispute, please refer to the company's final explanation.
2. The company will keep the contents contained in this Manual up-to-date in accordance with product enhancements and will periodically improve or update the products or procedures described in this Manual. The updated contents will be reflected in the latest version of this Manual without prior notice.
3. The contents contained in this Manual are for reference and guidance only for users. It is not guaranteed to be exactly the same with the real product. The real product shall prevail.
4. The parts, components and accessories mentioned in this Manual are for illustration purposes only and do not represent the configurations of your purchased model.

## WARRANTY CARD

Thank you for choosing our products. This warranty card is our company's solemn commitment to you, and based on this, the company provides you with standard warranty services. It is strongly recommended that you read the instructions carefully before using the product and operate it correctly.

### Warranty Policy

The warranty applies with the warranty card supplied.

### After-sales Service Policy

This warranty is applicable to the product from the date of purchase, but the official original purchase certificate shall be provided.

If the official original purchase certificate cannot be provided or the record (date, commodity name) is not clear, the company will define the warranty period based on the product information.

### Warranty Services

According to the national regulations, users enjoy the warranty services for the quality problems within the warranty period.

The followings shall not be covered by the warranty:

- Exceeding one-year warranty
- Physical damage due to improper use or storage
- Failure or damage caused during transport, loading/unloading or handling
- Repair or modification by non-professionals
- Failure or damage caused by negligence, violation of operation rules or misoperation
- Failure or damage caused by force majeure factors (Fire, earthquake, lightning strike)
- No warranty over accessories such as fuse and battery
- Products not maintained by the company

### 7×24 high-quality service

The company reserves the right of final evaluation of product failure

